

TFT

(Ilkley) Ltd.

The Sidings Business Park, SKIPTON, North Yorkshire, BD23 1TB
Phone or Fax 01756 792525

Office: 30 Alexandra Crescent, ILKLEY, West Yorkshire, LS29 9ER, Phone or Fax 01943 603459

Reg. No. 3168606, VAT No. 659 9604 77

**TEST CERTIFICATE**

No. 9473/1

**Testing to BS 5852 : 1990, Methods of Test for the Assessment of the Ignitability
of Upholstered Seating by Smouldering and Flaming Ignition Sources**

SAMPLE INFORMATION

Client Rodlin Design, P O Box 391114, BRAMLEY, 2018 JOHANNESBURG, South Africa
 Sample Description Wave Auditorium Seating, Cover Sekers 4478/20, with back and arms, on single leg metal mounting, measuring overall approximately 60cm depth by 95cm height by 62cm width,
 Date Received 18.11.99
 Pre-treatment None
 Conditioning BS 5852 : 1990, Clause 5.

TESTING

The material was tested according to **BS 5852 : 1990, Methods of Test for the Assessment of the Ignitability of Upholstered Seating by Smouldering and Flaming Ignition Sources, Section 5, Clause 20.3.1** using Ignition Source 5.

The results relate only to the ignitability of the combinations of upholstery composites (section 5 of BS 5852 : 1990) under the particular condition of test stated; they are not intended as a means of assessing the full potential fire hazard of the item in use.

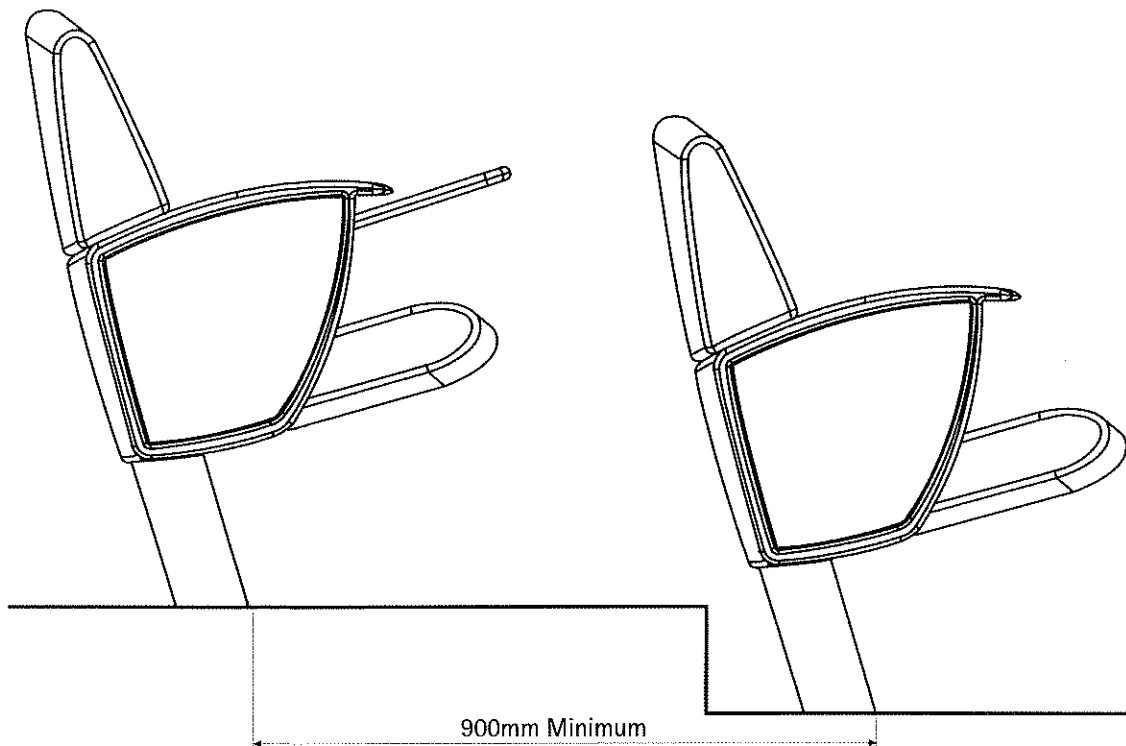
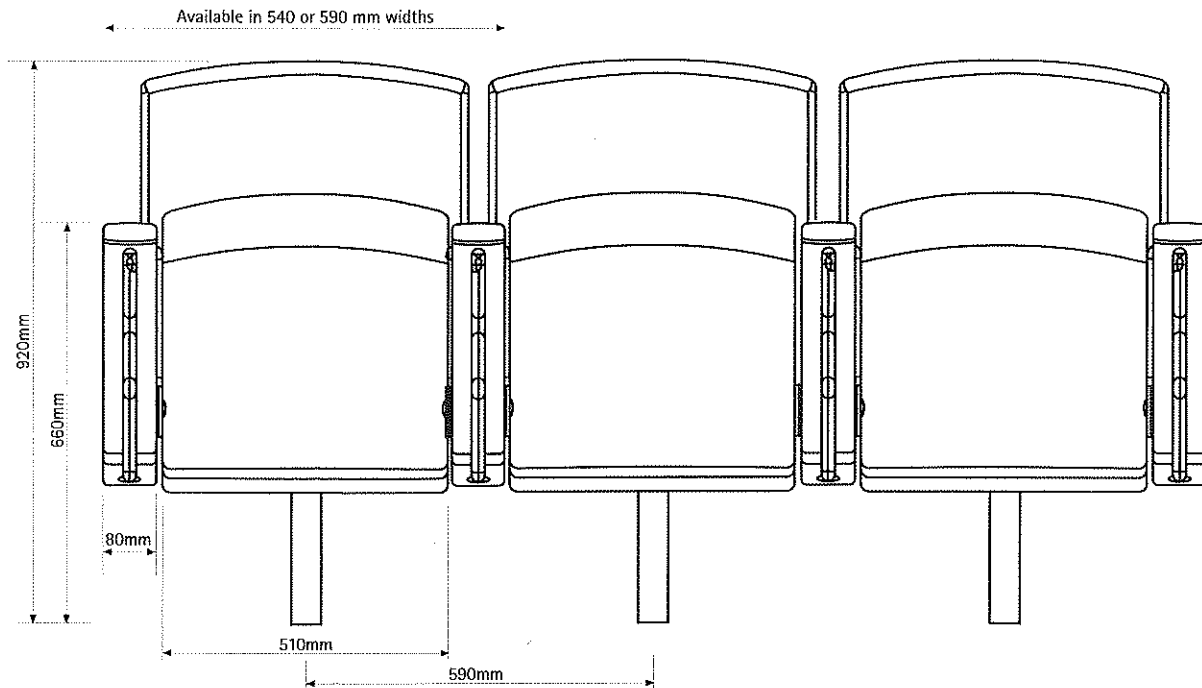
RESULTS

Specimen No.	1	2
Duration of flaming of ignition source (min)	3' 06"	3' 14"
Duration of flames (min)	5' 31"	6' 24"
Duration of smoke (min)	< 15' 00"	< 15' 00"
Extent of damage of horizontal component		
- width from side panel (mm)	74	94
- length from back panel (mm)	83	115
- depth (mm)	37	47
Extent of damage of vertical component		
- width from side panel (mm)	90	97
- depth (mm)	43	40
Extent of damage of side panel		
- length from back panel (mm)	62	81
- depth (mm)	2	2
Progressive smouldering >100mm from ignition source	No	No
Result	Non-ignition	Non-ignition

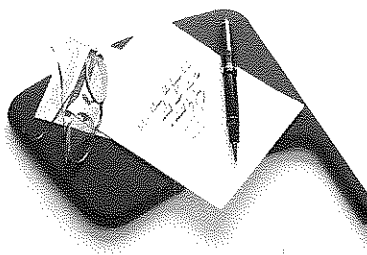
CONCLUSION

Since both applications showed Non-ignition the seat is designated as BS 5852 : 1990, Section 5, Rating NI/5; this Rating represents a Pass for Crib 5.

Dr R J Aron FTI, MIQA
 Technical Director



Vintech Park, Unit 24, 4th Street
 Wynberg, Sandton
 PO Box 391114
 Bramley 2018
 South Africa
 Tel (+27 11) 887 1747/9
 Fax (+27 11) 887 1733
 E-mail rod-lin@iafrica.com



Rodlin Design Wave Chair has passed the SABS's grueling tests and complies with the requirements of SABS 1528-1 test level 3 (institutional use). This robust chair has also met their determination of sound absorption characteristics of theatre chairs test, ISO 354-1985 (procedure) SABS 3150/833176. RSA Patent Application No 97/1274 RSA Design Application No F97/0144/5/6/7 British Fire Rating - BS 5852: 1990, Section 5, Rating N1/5; This rating represents a pass for Crib 5.

R O D L I N D E S I G N